

# High Efficiency 1.5MHz 2A Synchronous Step Down Converter

## 1 Features

- Input Voltage Range: 2.7V to 5.75V
- Output Voltage Range: 0.6V to  $V_{IN}$
- 2A Constant Output Current
- 0.6V Reference Voltage
- Integrated 65mΩ / 60mΩ MOSFETs
- 35uA Quiescent Current
- 1.5MHz Switching Frequency
- Internal 0.7ms Soft-Start Time
- Internal Compensation Function
- 100% Dropout Operation
- Input Over Voltage Protection
- Over Current Protection
- Hiccup Short Circuit Protection
- Over Temperature Protection
- RoHS Compliant and Halogen-Free

## 2 Applications

- Set-Top Box
- LCD TV & Table
- AP Router & Wi-Fi
- G-PON, E-PON, xDSL

## 3 Description

The GD30DC1104 is a high efficiency, high frequency synchronous DC/DC step-down converter. The 100% duty cycle feature provides low dropout operation, extending battery life in portable systems.

The internal synchronous switch increases efficiency and eliminates the need for external schottky diode. At shutdown mode, the input supply current is less than 1μA.

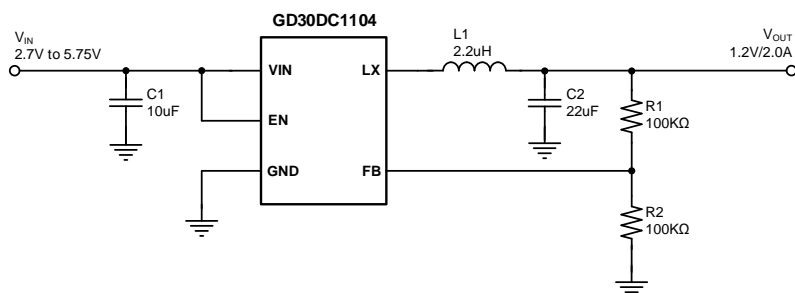
The GD30DC1104 fault protection includes over current protection, short circuit protection, under voltage lockout protection and thermal shutdown. The Internal soft-start function prevents inrush current at turn-on. The GD30DC1104 is offered in a SOT23-5 package.

### Device Information<sup>1</sup>

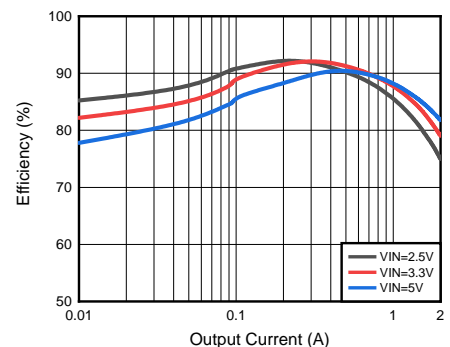
PART NUMBER	PACKAGE	BODY SIZE (NOM)
GD30DC1104	SOT23-5	2.90mm x 2.90mm

1. For packaging details, see [Package Information](#) section.

## Simplified Application Schematic



## 1.2V Output Efficiency

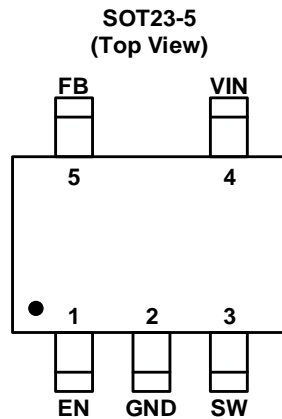


## Table of Contents

<b>1</b>	<b>Features</b> .....	<b>1</b>
<b>2</b>	<b>Applications</b> .....	<b>1</b>
<b>3</b>	<b>Description</b> .....	<b>1</b>
	<b>Table of Contents</b> .....	<b>2</b>
<b>4</b>	<b>Device Overview</b> .....	<b>3</b>
4.1	Pinout and Pin Assignment .....	3
4.2	Pin Description .....	3
<b>5</b>	<b>Parameter Information</b> .....	<b>4</b>
5.1	Absolute Maximum Ratings .....	4
5.2	Recommended Operation Conditions .....	4
5.3	Electrical Sensitivity .....	4
5.4	Thermal Resistance .....	5
5.5	Electrical Characteristics .....	5
5.6	Typical Characteristics .....	7
<b>6</b>	<b>Functional Description</b> .....	<b>9</b>
6.1	Block Diagram .....	9
6.2	Operation .....	9
6.3	Device Mode Description .....	11
<b>7</b>	<b>Application Information</b> .....	<b>12</b>
7.1	Typical Application Circuit .....	12
7.2	Design Example .....	12
7.3	Detailed Design Description .....	13
7.4	Power Dissipation .....	15
7.5	Typical Application Curves .....	16
<b>8</b>	<b>Layout Guidelines and Example</b> .....	<b>20</b>
<b>9</b>	<b>Package Information</b> .....	<b>21</b>
9.1	Outline Dimensions .....	21
9.2	Recommended Land Pattern .....	23
<b>10</b>	<b>Ordering Information</b> .....	<b>24</b>

## 4 Device Overview

### 4.1 Pinout and Pin Assignment



### 4.2 Pin Description

PIN NUMBER		PIN TYPE <sup>1</sup>	FUNCTION
NAME	NUM		
EN	1	I	Enable control pin. Pull high enables the device, and pull low to disables the device and turns it into shutdown. Don't leave this pin floating.
GND	2	G	Ground pin.
SW	3	P	Power switching node. Connect an inductor to the drains of internal high side PMOS and low side NMOS.
VIN	4	P	Power supply input pin. Placed input capacitors as close as possible from VIN to GND to avoid noise influence.
FB	5	I	Feedback pin for the internal control loop. Connect this pin to the external feedback divider.

1. I = input, P = power, G = Ground.

## 5 Parameter Information

### 5.1 Absolute Maximum Ratings

Exceeding the operating temperature range(unless otherwise noted)<sup>1</sup>

SYMBOL	PARAMETER	MIN	MAX	UNIT
V <sub>IN</sub>	Input voltage	-0.3	7.0	V
V <sub>SW</sub>	Switching node voltage (SW)	-0.3	V <sub>IN</sub> +0.3	V
V <sub>IO</sub>	I/O pin voltage (EN, FB)	-0.3	V <sub>IN</sub>	V
T <sub>J</sub>	Operating junction temperature	-40	150	°C
T <sub>stg</sub>	Storage temperature	-55	150	°C
P <sub>max</sub>	SOT23-5 Maximum power dissipation @ T <sub>A</sub> =+25°C		0.4	W

1. The maximum ratings are the limits to which the device can be subjected without permanently damaging the device. Note that the device is not guaranteed to operate properly at the maximum ratings. Exposure to the absolute maximum rating conditions for extended periods may affect device reliability.

### 5.2 Recommended Operation Conditions

SYMBOL <sup>1,2</sup>	PARAMETER	MIN	TYP	MAX	UNIT
V <sub>IN</sub>	Input voltage	2.7		5.75	V
V <sub>OUT</sub>	Output voltage	0.6		V <sub>IN</sub>	V
I <sub>OUT</sub>	Output current	0		2	A
T <sub>J</sub>	Operating junction temperature	-40		125	°C

1. The device is not guaranteed to function outside of its operating conditions.
2. Refer to the [Application Information](#) section for further information.

### 5.3 Electrical Sensitivity

SYMBOL	CONDITIONS	VALUE	UNIT
V <sub>ESD(HBM)</sub>	Human-body model (HBM), ANSI/ESDA/JEDEC JS-001-2017 <sup>1</sup>	±2000	V
V <sub>ESD(CDM)</sub>	Charge-device model (CDM), ANSI/ESDA/JEDEC JS-002-2022 <sup>2</sup>	±500	V

1. JEDEC document JEP155 states that 500-V HBM allows safe manufacturing with a standard ESD control process.
2. JEDEC document JEP157 states that 250-V CDM allows safe manufacturing with a standard ESD control process.

## 5.4 Thermal Resistance

SYMBOL <sup>1</sup>	CONDITIONS	PACKAGE	VALUE	UNIT
$\Theta_{JA}$	Natural convection, 2S2P PCB	SOT23-5	117.71	°C/W
$\Theta_{JB}$	Cold plate, 2S2P PCB	SOT23-5	59.55	°C/W
$\Theta_{JC}$	Cold plate, 2S2P PCB	SOT23-5	34.00	°C/W
$\Psi_{JB}$	Natural convection, 2S2P PCB	SOT23-5	59.46	°C/W
$\Psi_{JT}$	Natural convection, 2S2P PCB	SOT23-5	2.27	°C/W

1. Thermal characteristics are based on simulation, and meet JEDEC document JESD51-7.

## 5.5 Electrical Characteristics

$V_{IN} = V_{EN} = 5V$ ,  $T_J = 25^{\circ}C$ , unless otherwise noted.

SYMBOL	PARAMETER	CONDITIONS	MIN	TYP	MAX	UNIT
<b>POWER SUPPLY</b>						
$V_{IN(OVP)}$	Input overvoltage protection			6.1		V
$I_Q$	Quiescent current	No switching		35		μA
$I_{SHDN}$	Shutdown current	EN = 0V		0.1	1	μA
$V_{UVLO}$	Under voltage lockout	$V_{IN}$ rising	1.5	2.0	2.5	V
$V_{UVLO\_HYS}$	Under voltage lockout hysteresis			200		mV
<b>ENABLE</b>						
$V_{EN\_RISE}$	Rising enable threshold	$2.7V \leq V_{IN} \leq 5.75V$		1.3	1.5	V
$V_{EN\_FALL}$	Falling enable threshold	$2.7V \leq V_{IN} \leq 5.75V$	0.4	0.9		V
$I_{EN}$	EN input current	$V_{EN} = 2V$		0.1	1	uA
<b>VOLTAGE REFERENCE</b>						
$V_{FB}$	Feedback voltage	$V_{IN} = 2.7$ to $5.75V$	0.588	0.6	0.612	V
$I_{FB}$	Feedback leakage current	$V_{FB} = V_{IN}$		0.01	1	uA
$t_{ss}$	Soft startup time			0.7		ms
<b>INTEGRATED POWER MOSFETS</b>						
$R_{DS(on)}$	High-side FET on resistance			65		mΩ
	Low-side FET on resistance			60		mΩ
<b>SWITCHING REGULATOR</b>						
$F_{SW}$	Switching frequency	$I_{OUT} = 1.0A$		1.5		MHz
$D_{MAX}$	Maximum duty cycle				100	%
$T_{MIN}$	Minimum on time <sup>1</sup>			50		nS
$R_{DISCHG}$	Output discharge resistance			1		KΩ
<b>CURRENT LIMIT</b>						
$I_{LIM}$	High-side current limit <sup>1</sup>			4.0		A

## Electrical Characteristics(continued)

$V_{IN} = V_{EN} = 5V$ ,  $T_J = 25^{\circ}C$ , unless otherwise noted.

SYMBOL	PARAMETER	CONDITIONS	MIN	TYP	MAX	UNIT
<b>THERMAL SHUTDOWN</b>						
$T_{TSD}$	Thermal shutdown temperature <sup>1</sup>			160		$^{\circ}C$
$T_{HYS}$	Thermal shutdown hysteresis <sup>1</sup>			25		$^{\circ}C$

1. Guaranteed by design and engineering sample characterization.

### 5.6 Typical Characteristics

T<sub>A</sub> = -40°C to 125°C, unless otherwise noted.

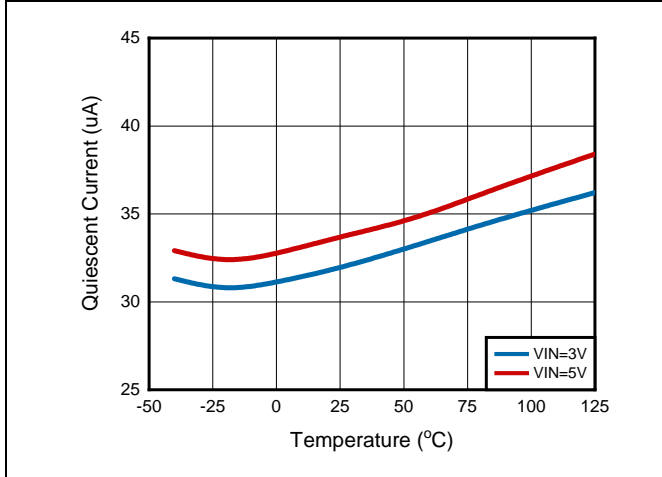


Figure 1. Quiescent Current vs. Temperature

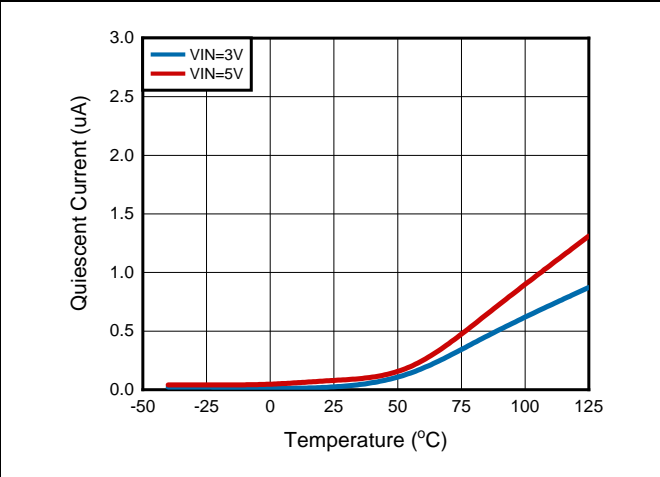


Figure 2. Shutdown Current vs. Temperature

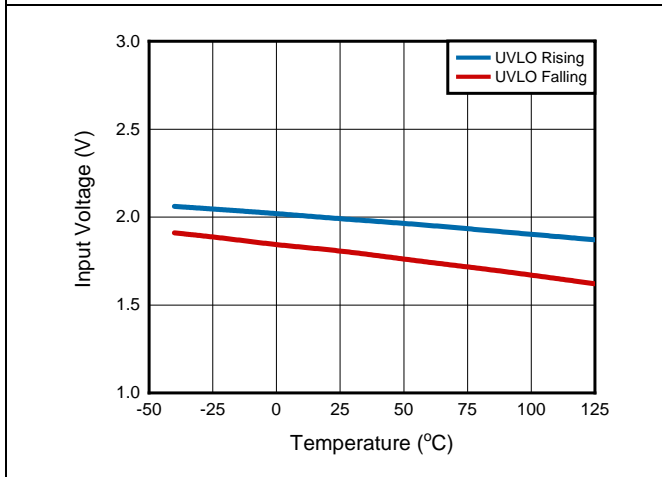


Figure 3. VIN Thresholds vs. Temperature

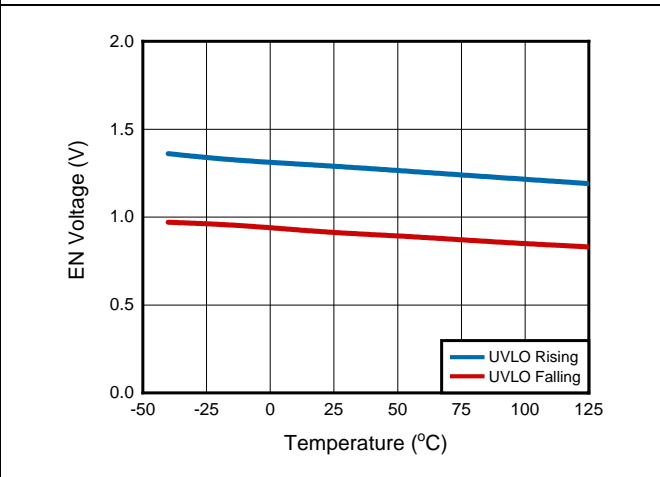


Figure 4. Enable Thresholds vs. Temperature

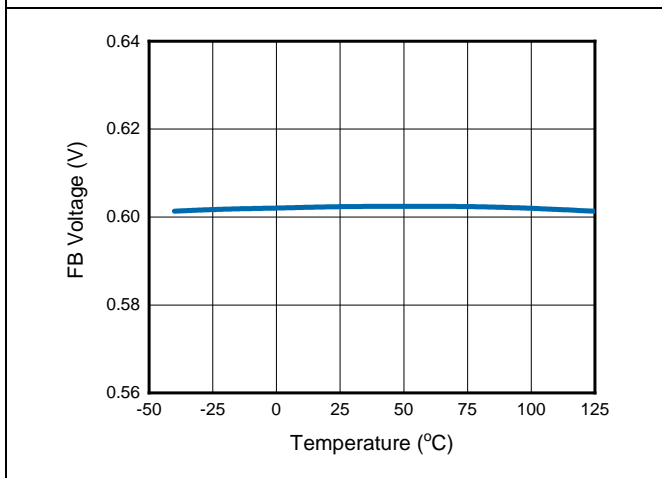


Figure 5. FB Voltage vs. Temperature

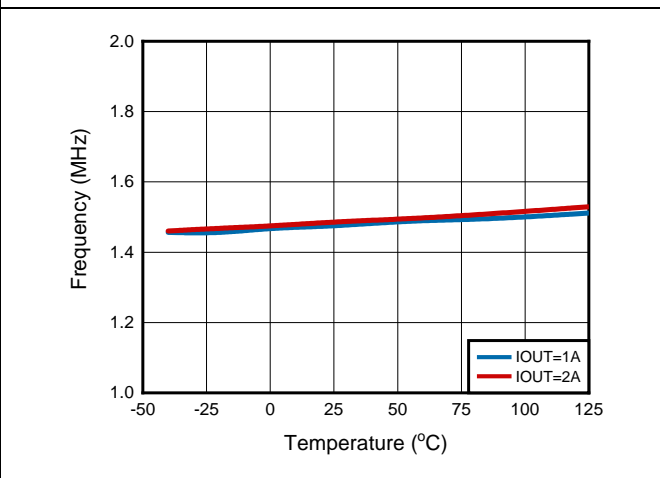
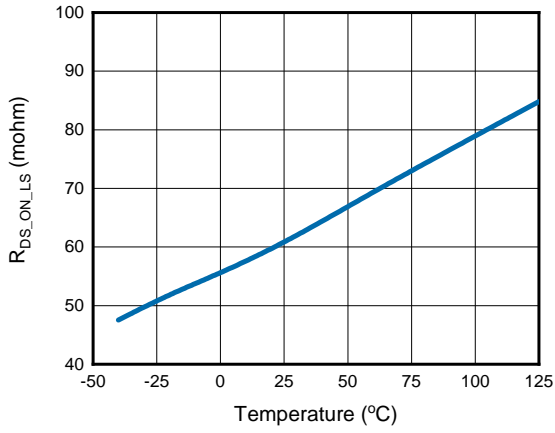


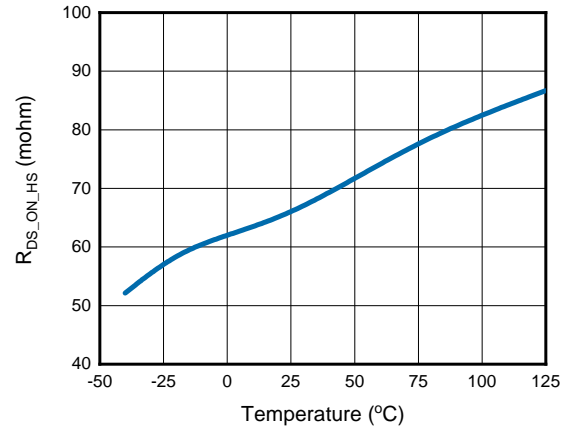
Figure 6. Switch Frequency vs. Temperature

**Typical Characteristics (continued)**

$T_A = -40^{\circ}\text{C}$  to  $125^{\circ}\text{C}$ , unless otherwise noted.



**Figure 7. Low-side FET ON Resistance vs. Temperature**



**Figure 8. High-side FET ON Resistance vs. Temperature**



## 6 Functional Description

### 6.1 Block Diagram

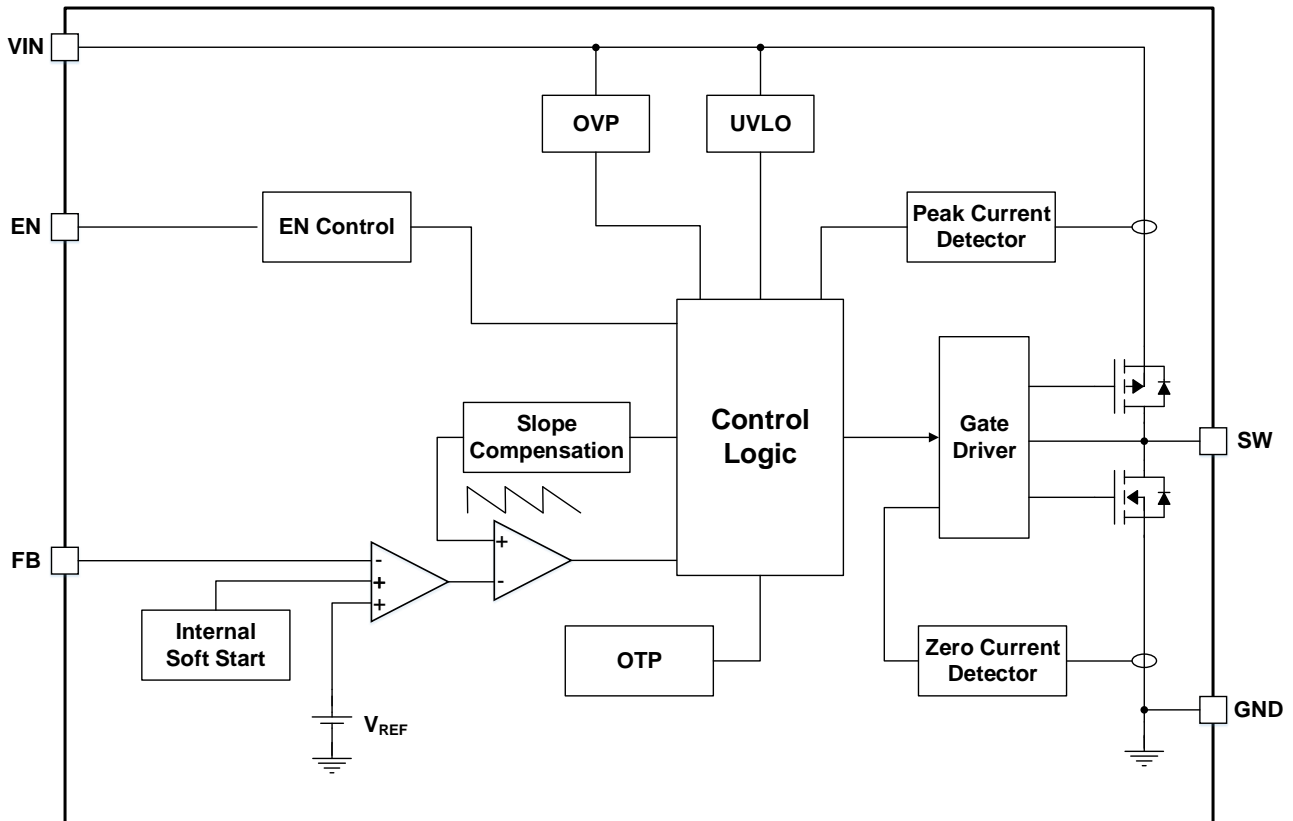


Figure 9. GD30DC1104 Functional Block Diagram

### 6.2 Operation

Slope compensated current mode PWM control provides stable switching and cycle-by-cycle current limit for superior load, line response, protection of the internal main switch and synchronous rectifier. The GD30DC1104 switches at a constant frequency and regulates the output voltage. During each cycle, the PWM comparator modulates the power transferred to the load by changing the inductor peak current based on the feedback error voltage. During normal operation, the main switch is turned on for a certain time to ramp the inductor current at each rising edge of the internal oscillator, and switched off when the peak inductor current is above the error voltage. When the main switch is off, the synchronous rectifier will be turned on immediately and stay on until next cycle starts.

#### 6.2.1 Pulse Frequency Modulation

The device automatically enters Pulse Frequency Modulation(PFM) to improve efficiency at light load when the inductor current becomes discontinuous. In discontinuous conduction mode(DCM), the low-side switch is turned off when the inductor current drops to approximately 0A. When feedback voltage(V<sub>FB</sub>) drops below the reference voltage, the high-side FET is turn on. In PFM mode, the switching frequency is decreased by the control loop to

maintain output voltage regulation when load current reduces. Switching loss is further reduced in PFM operation due to less frequent switching actions. PFM mode provides high light-load efficiency by reducing the amount of input supply current required to regulate the output voltage at small loads. This trades off very good light-load efficiency for larger output voltage ripple and variable switching frequency. Also, small increase in output voltage occurs at light loads.

### **6.2.2 100% Duty Cycle Low Dropout**

The device offers a low input-to-output voltage differential by entering 100% duty cycle mode. In this mode, the high-side MOSFET switch is constantly turned on and the low-side FET is switched off.

### **6.2.3 Soft Startup**

The device employs internal soft start function to reduce input inrush current and creates a smooths output voltage rise slope during start up. The internal soft start time is set to 0.7ms.

### **6.2.4 Input Over Voltage Protection**

The device supports input over voltage protection. When input voltage exceeds the input over voltage threshold 6.1V(typical), the regulator will be shutdown unless the input over voltage is removed.

### **6.2.5 Under Voltage Lockout**

To avoid mis-operation of the device at an insufficient supply voltage, implement under voltage locking to shutdown the device when the voltage is below the  $V_{HYS}$  hysteresis of the  $V_{UVLO}$ .

### **6.2.6 Short Circuit Protection**

The device provides short circuit protection function to prevent the device damaged from short condition. When the short condition occurs and the feedback voltage drops lower than 20% of the regulation level, the oscillator frequency will be reduced and hiccup mode will be triggered to prevent the device from overheating during the extended short condition. Once the short condition is removed, the frequency and current limit will return to normal.

### **6.2.7 Over Current Protection**

The device over current protection function is implemented by using cycle-by-cycle current limit architecture. The inductor current is monitored by measuring the high-side FET series sense resistor voltage. When the load current increases, the inductor current will also increase. When the peak inductor current reaches the current limit threshold 4.0A(typical), the output voltage will start to drop. When the over current condition is removed, the output voltage will return to the regulated value.

### **6.2.8 Thermal Shutdown**

The internal thermal shutdown circuitry forces the device to stop switching if the junction temperature exceeds 160°C(typical), both the high-side and low-side FETs are turned off. Once the device temperature falls below the threshold with hysteresis 25°C (typical), the device returns to normal operation automatically.



## 6.3 Device Mode Description

### 6.3.1 Device Enable

The device EN pin provides digital control to turn on/off the regulator. When  $V_{EN}$  exceeds the threshold voltage, the regulator will start the soft start function. If  $V_{EN}$  is below the shutdown threshold voltage, the regulator will turn into the shutdown mode and the shutdown current will be smaller than  $1\mu A$ . The EN input must be terminated and should not be left floating.

## 7 Application Information

The GD30DC1104 device is typically used as a step down converter, which convert an input voltage from 2.7V to 5.75V to fixed output voltage 1.2V.

### 7.1 Typical Application Circuit

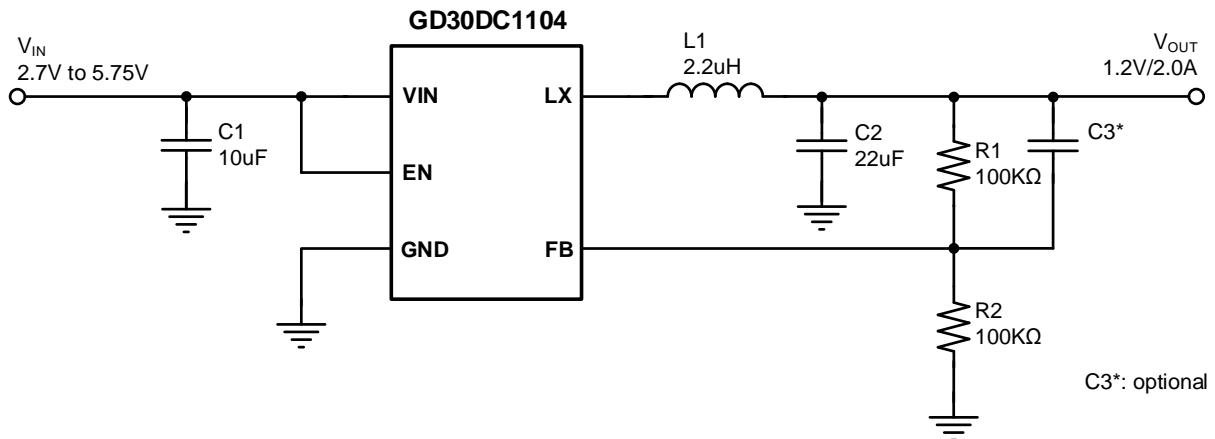


Figure 10. 1.2V, 2A Reference Design

### 7.2 Design Example

For this design example, use the parameters in [Table 1](#).

Table 1. Design Parameters

PARAMETER	EXAMPLE VALUE
Input Voltage	2.7V to 5.75V
Output Voltage	1.2V
Maximum Output Current	2A

[Table 2](#) lists the components used for the example.

Table 2. Design Example Component<sup>1,2</sup>

COMPONENT	DESCRIPTION
C1	10uF, Ceramic Capacitor, 10V, X7R, size 0603
C2	22uF, Ceramic Capacitor, 10V, X7R, size 0603
L1	2.2uH, Power Inductor
R1,R2	Divider resistor, 1%, size 0603
C3*	Optional, 10pF if it is needed. Meanwhile, C2 recommends using 10uF

- The components used in these design cases do not belong to GD products, GD does not warrant its accuracy or completeness. GD's customers need to test and verify whether the selected components meet their intended use to ensure stable system operation.
- Refer to [Detailed Design Description](#) section for guidance on component selection and calculation equations.

## 7.3 Detailed Design Description

### 7.3.1 Output Voltage Setting

An external resistor divider is used to set output voltage according to Equation(1). By selecting R1 and R2, the output voltage is programmed to the desired value. When the output voltage is regulated, the typical voltage reference at the FB pin is 0.6V.

To ensure system performance, choose the value of R2 carefully. Since a large R2 make FB sensitive to noise and a small R2 increase power loss. So the value of 100KΩ is recommended. It can achieves a balance between system stability and low current consumption.

$$V_{OUT} = 0.6V \times \left( 1 + \frac{R_1}{R_2} \right) \quad (1)$$

The feedback circuit is shown in Figure 11.

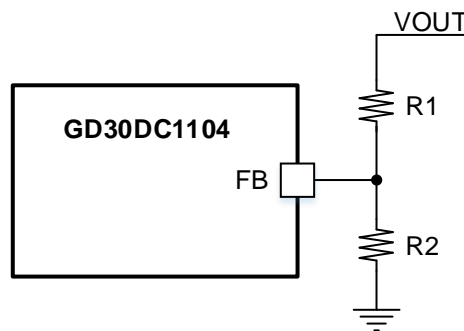


Figure 11. Feedback resistor divider

Table 3 lists the recommended parameters values for common output voltages.

Table 3. Component selection for common output voltages

V <sub>OUT</sub> (V)	R1(KΩ)	R2(KΩ)	L(μH)
3.3	453	100	2.2μH
2.5	316	100	2.2μH
1.8	200	100	2.2μH
1.5	150	100	2.2μH
1.2	100	100	2.2μH
1.05	75	100	2.2μH

### 7.3.2 Inductor Selection

The inductor selection trade-offs among size, cost, efficiency, and transient response requirements. Three key inductor parameters are specified for operation with the device: inductance value (L), inductor saturation current (ISAT), and DC resistance (DCR). In general, inductors with larger inductance and low DCR values provide much more output and high conversion efficiency, and smaller inductance values can give batter load transient response.

A good compromise between size and loss is to choose the peak-to-peak ripple current equals to 20% to 40% of the IC rated current. And the peak inductor current can be calculated by Equation(2) and Equation(3). Ensure that

the peak inductor current is below the maximum switch current.

$$\Delta I_L = (0.2 \text{ to } 0.4) \times I_{OUT(MAX)} \quad (2)$$

$$I_{L(peak)} = I_{OUT(MAX)} + \frac{\Delta I_L}{2} \quad (3)$$

The switching frequency, input voltage, output voltage, and selected inductor ripple current determines the inductor value according to Equation(4). Once an inductor value is chosen, the peak inductor current is determined by Equation(3). Attention that the inductor should not saturate under the inductor peak current.

$$L = \frac{(V_{IN} - V_{OUT}) \times V_{OUT}}{V_{IN} \times F_{SW} \times \Delta I_L} \quad (4)$$

### 7.3.3 Input Capacitor Selection

Input capacitance,  $C_{IN}$ , is needed to filter the pulsating current at the drain of the high-side power MOSFET.  $C_{IN}$  should be sized to do this without causing a large variation in input voltage. The input capacitance value determines the input voltage ripple of the converter. For most applications, a 10 $\mu$ F capacitor is sufficient.

The peak-to-peak voltage ripple on input capacitor can be estimated with Equation(5):

$$\Delta V_{IN} = \frac{I_{OUT}}{F_{SW} \times C_{IN}} \times \frac{V_{OUT}}{V_{IN}} \times \left(1 - \frac{V_{OUT}}{V_{IN}}\right) \quad (5)$$

For best performance, ceramic capacitors with X5R or X7R dielectrics are highly recommended because of their low ESR and small temperature coefficients. To compensate the derating of the ceramic capacitors, the voltage rating of capacitor should be twice of the maximum input voltage. The input capacitor also requires an adequate ripple current rating since it absorbs the input switching current.

The input ripple current can be estimated with Equation(6):

$$I_{CIN} = I_{OUT} \times \sqrt{D \times (1-D)} \quad (6)$$

Where D is the duty cycle of converter. The worst-case condition occurs at  $V_{IN} = 2V_{OUT}$ . At this point, the input ripple current of input capacitance is equal to half of output current. For simplification, choose an input capacitor with an RMS current rating greater than half of the maximum load current.

### 7.3.4 Output Capacitor Selection

The output capacitor stabilizes the DC output voltage, it directly affects the steady state, output voltage ripple, loop stability, and output voltage overshoot and undershoot during load current transient.

The output voltage ripple can be estimated with Equation(7):

$$\Delta V_{OUT} = \Delta I_L \times \left( C_{ESR} + \frac{1}{8 \times F_{SW} \times C_{OUT}} \right) \quad (7)$$

The output capacitor ripple is essentially composed of two part. One part is caused by the inductor ripple current flowing through the ESR of output capacitors, another part is caused by the inductor ripple current charging and

discharging output capacitors. For tantalum or electrolytic capacitors, the ESR dominates the impedance at the switching frequency. And when using ceramic capacitors, the capacitance dominates the impedance at the switching frequency and causes most of the output voltage ripple.

The output capacitance must be large enough to supply the current when a large load step occurs. But if the output capacitor value is too high, the output voltage will not be able to reach the design value during the soft start time. A 10uF Ceramic capacitors are recommended in this application.

## 7.4 Power Dissipation

For DC/DC, there is still some power deposited on the chip and converted into heat, in spite of switch mode power supplies have considerably higher efficiency when compared to linear regulators. The device power dissipation includes conduction loss, switching loss, gate charge loss and quiescent current losses. The maximum allowable continuous power dissipation at any ambient temperature is calculated by [Equation\(8\)](#):

$$P_{D(MAX)} = \frac{T_{J(MAX)} - T_A}{\theta_{JA}} \quad (8)$$

Where  $T_{J(MAX)}$  is the maximum junction temperature,  $T_A$  is the ambient temperature and  $\theta_{JA}$  is the junction to ambient thermal resistance. Once exceeding the maximum allowable power, The device enters thermal shutdown to avoid permanent damage.

## 7.5 Typical Application Curves

$T_A = 25^\circ\text{C}$ , unless otherwise noted.

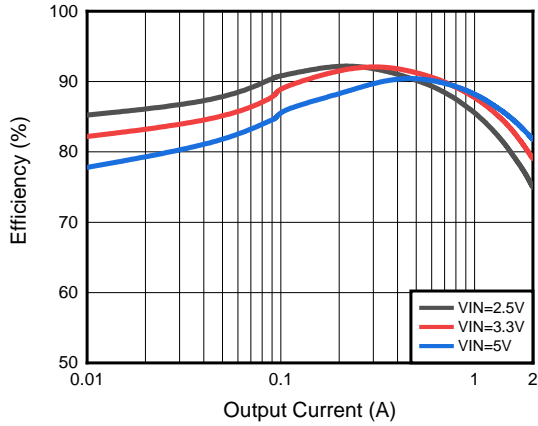


Figure 12. 1.2V Output Efficiency

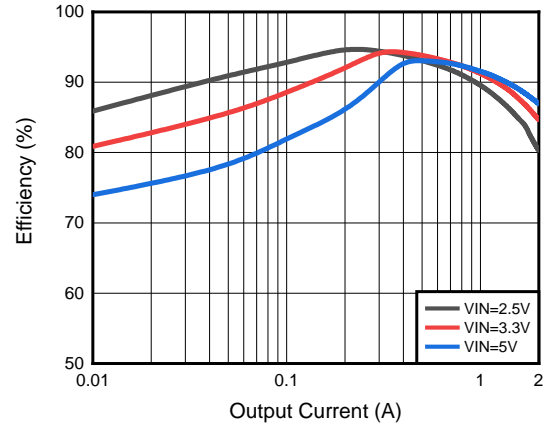


Figure 13. 1.8V Output Efficiency

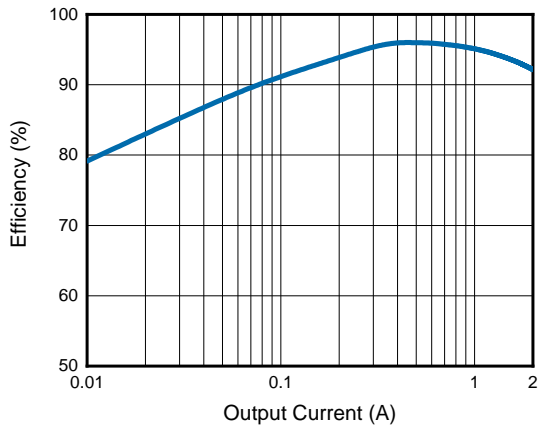


Figure 14. 3.3V Output Efficiency

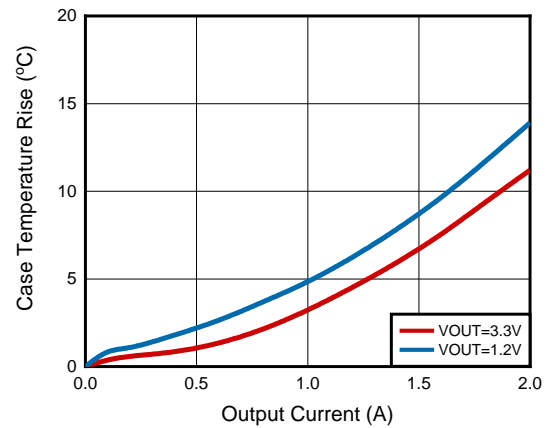


Figure 15. Case Temperature

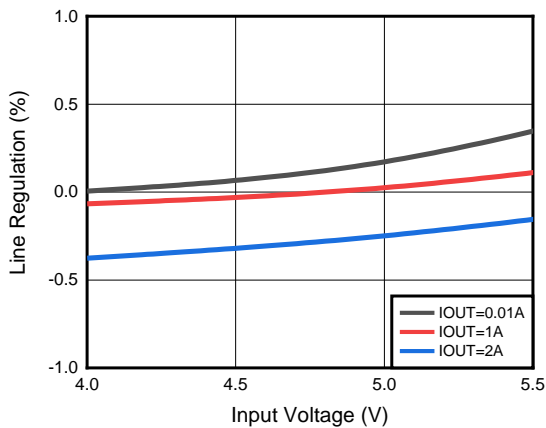


Figure 16. Line Regulation ( $V_{OUT} = 3.3\text{V}$ )

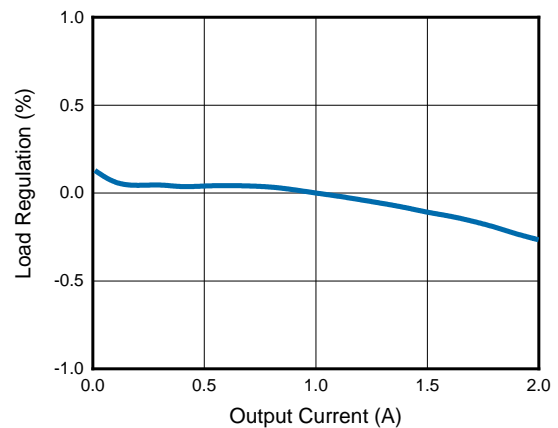
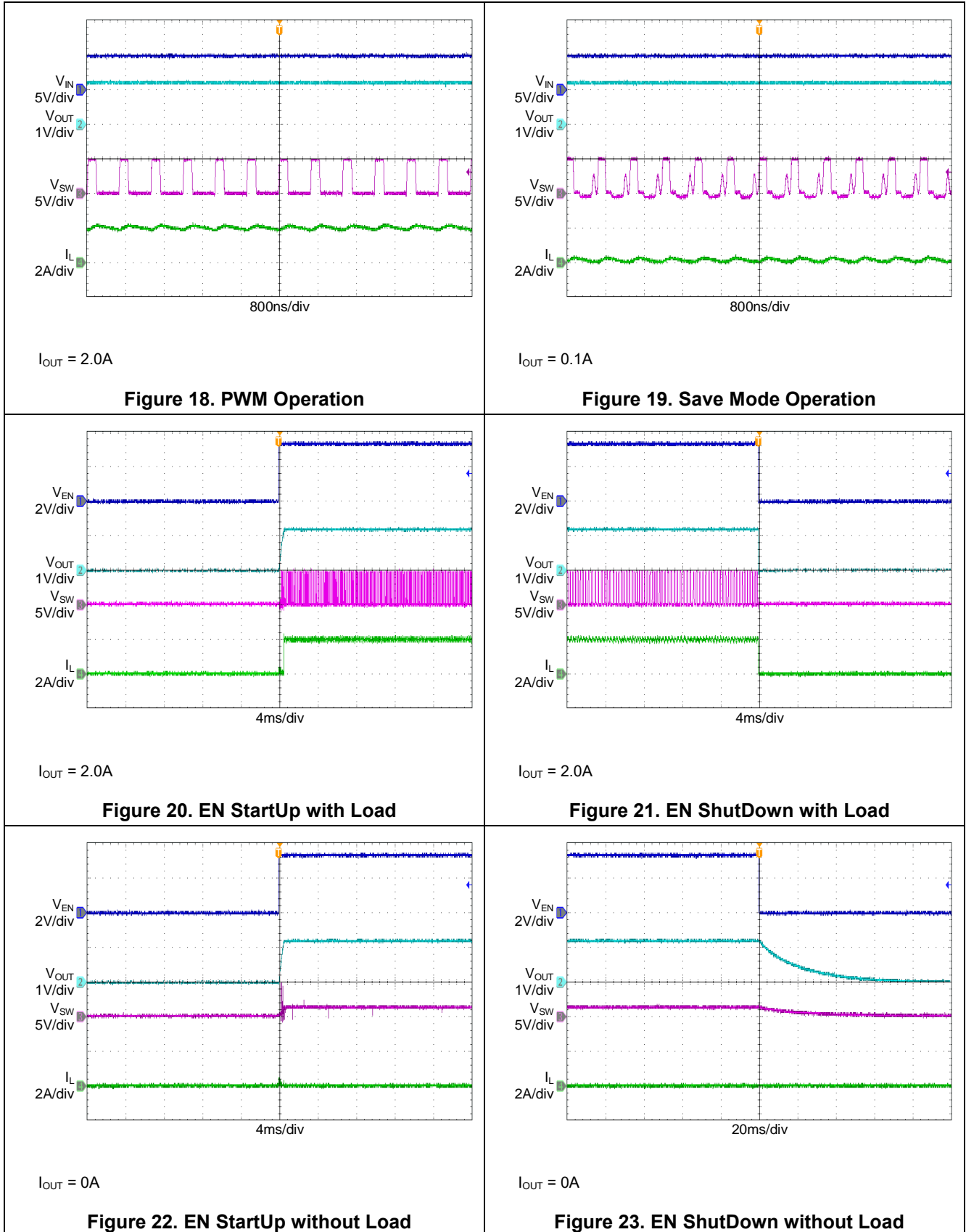


Figure 17. Load Regulation ( $V_{OUT} = 3.3\text{V}$ )



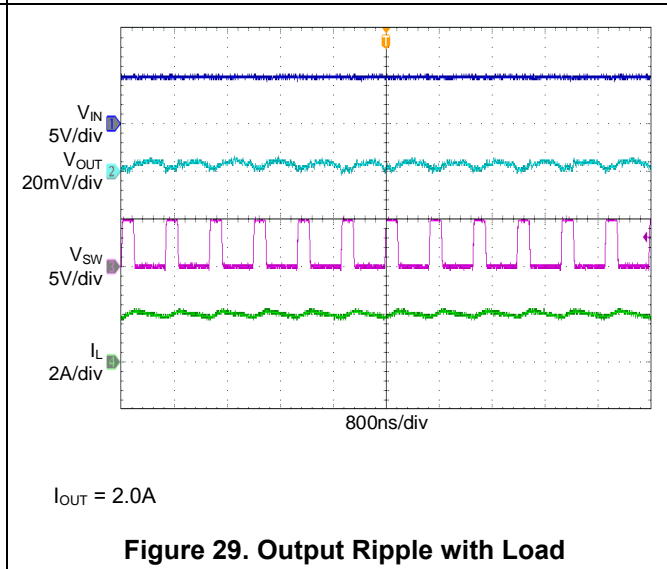
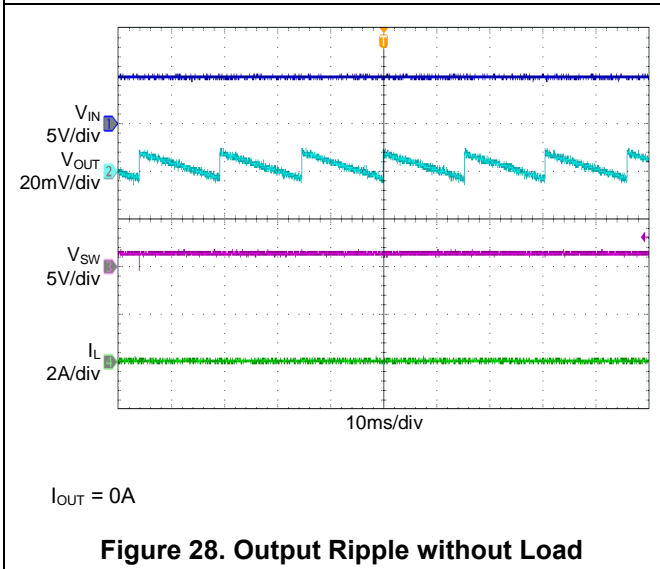
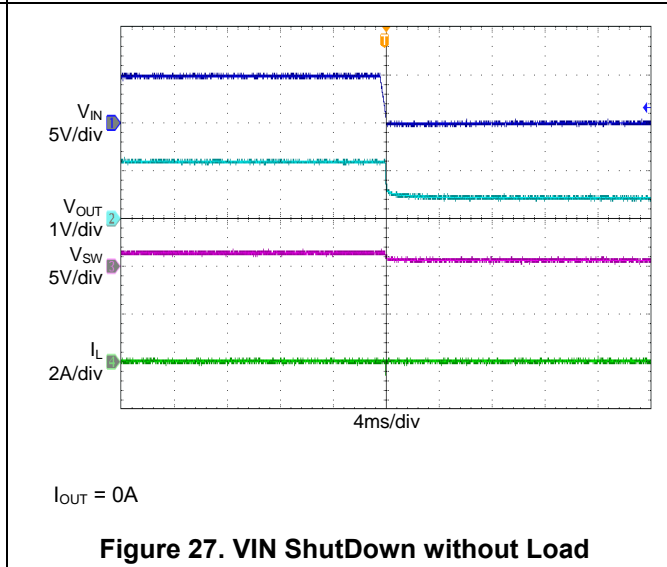
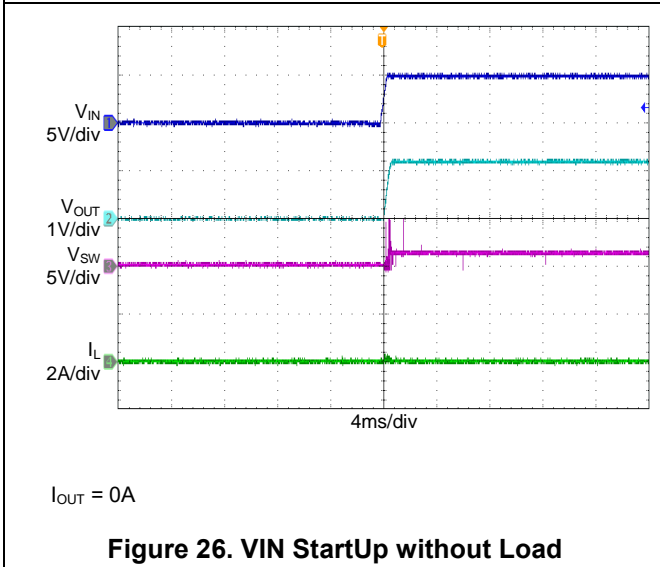
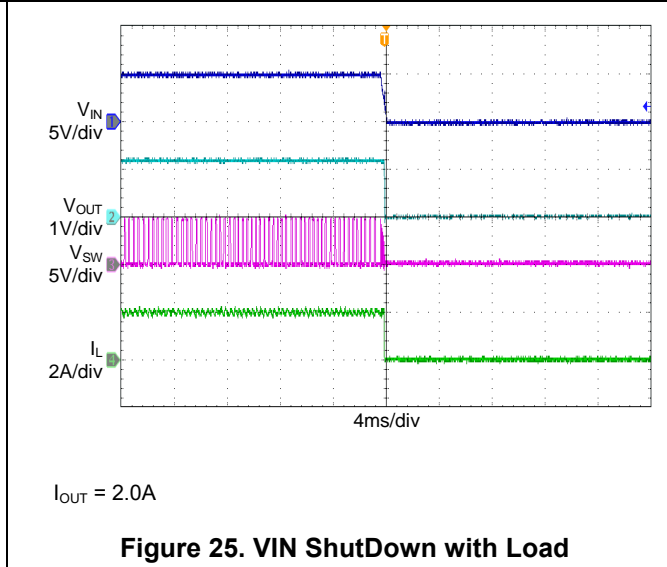
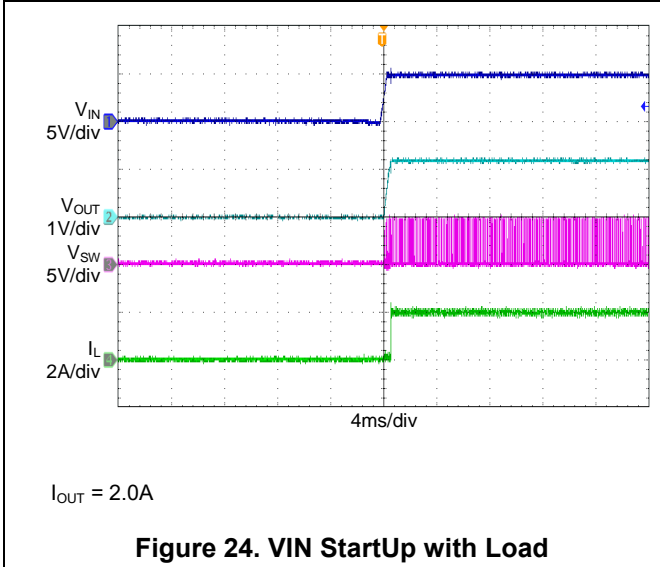
## Typical Application Curves (continued)

$V_{IN} = 5V$ ,  $V_{OUT} = 1.2V$ ,  $L = 2.2\mu H$ ,  $T_A = 25^\circ C$ , unless otherwise noted.



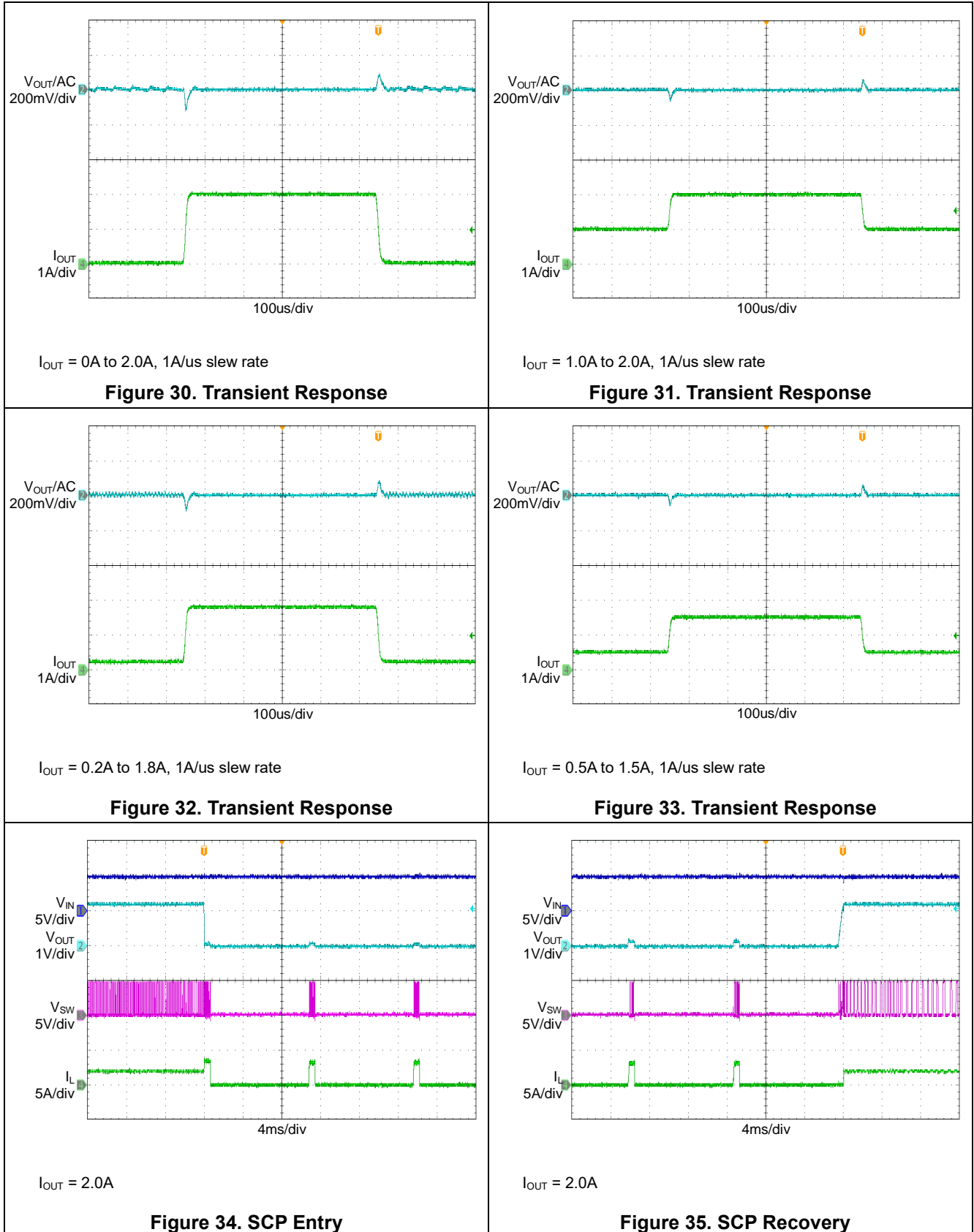
Typical Application Curves (continued)

$V_{IN} = 5V$ ,  $V_{OUT} = 1.2V$ ,  $L = 2.2\mu H$ ,  $T_A = 25^\circ C$ , unless otherwise noted.



### Typical Application Curves (continued)

$V_{IN} = 5V$ ,  $V_{OUT} = 1.2V$ ,  $L = 2.2\mu H$ ,  $T_A = 25^\circ C$ , unless otherwise noted.



## 8 Layout Guidelines and Example

Efficient PCB layout is critical for stable operation. For the high-frequency switching converter, a poor layout design can result in poor line or load regulation and stability issues.

- 1) Place the input/output capacitor and inductor should be placed as close to IC.
- 2) Keep the power traces as short as possible.
- 3) The low side of the input and output capacitor must be connected properly to the power GND avoid a GND potential shift.
- 4) Place the external feedback resistors next to FB.
- 5) Keep the switching node SW short and away from the feedback network.

For best results, follow the layout example below.

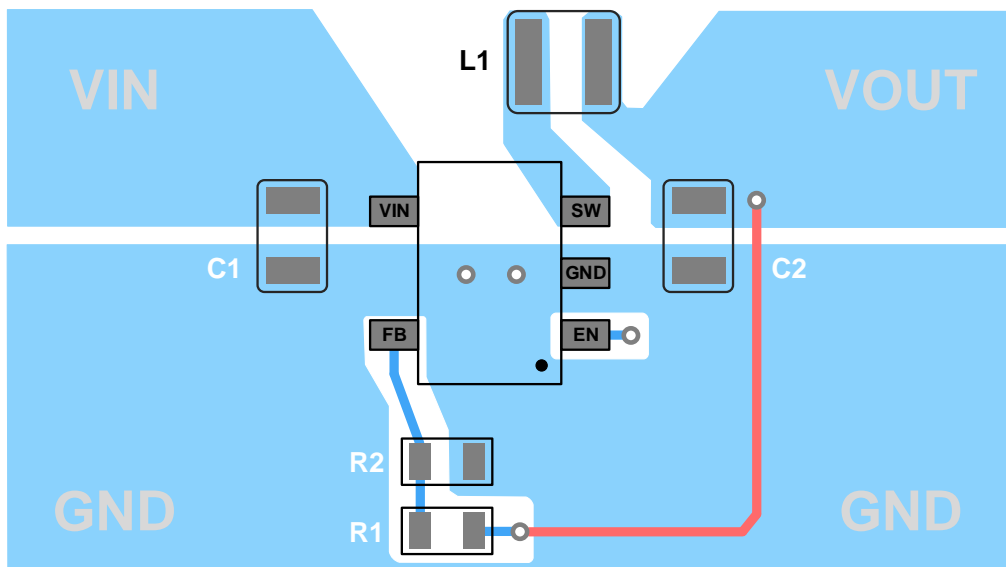
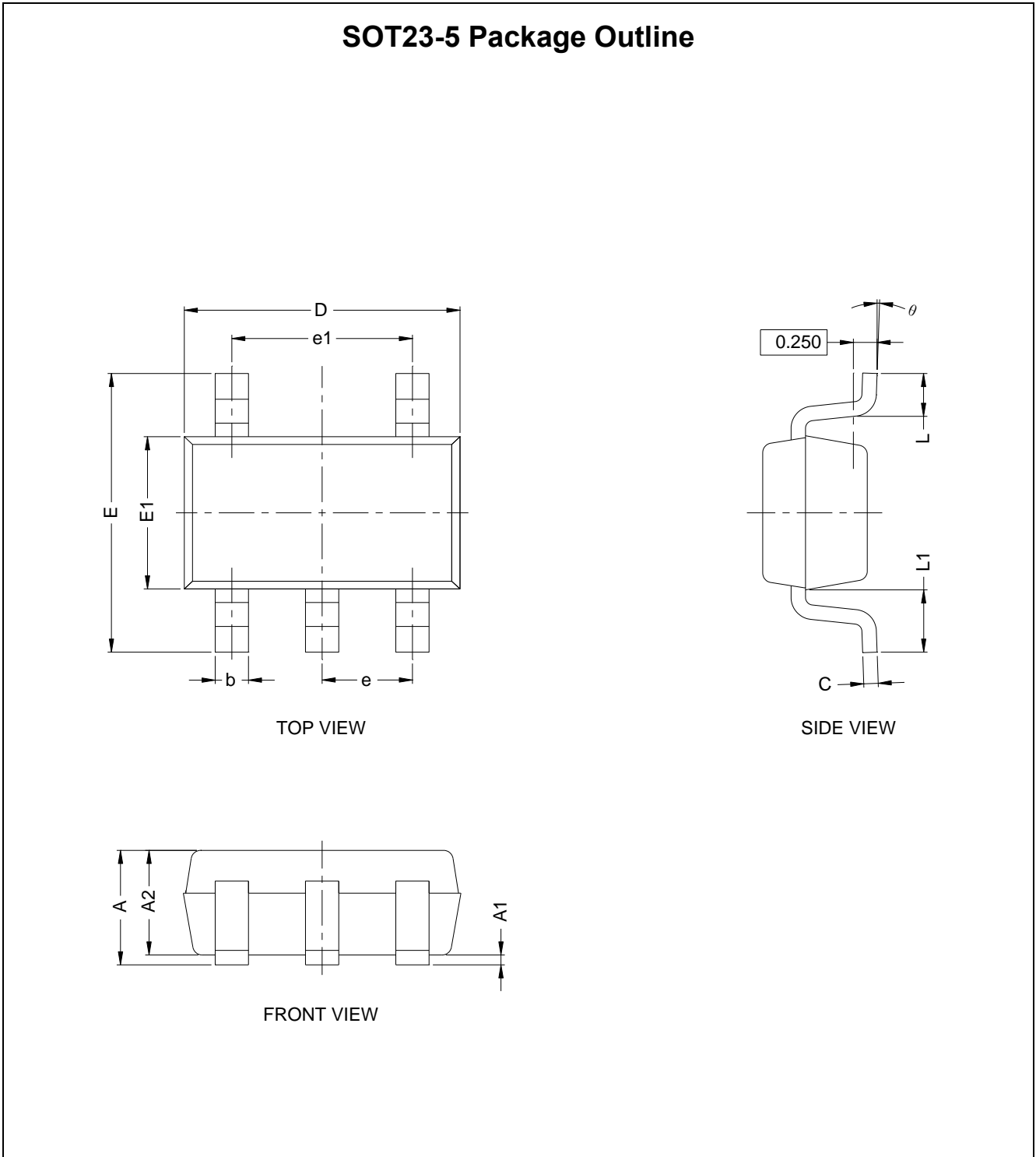


Figure 36. Typical GD30DC1104 Example Layout

## 9 Package Information

### 9.1 Outline Dimensions



**NOTES:**

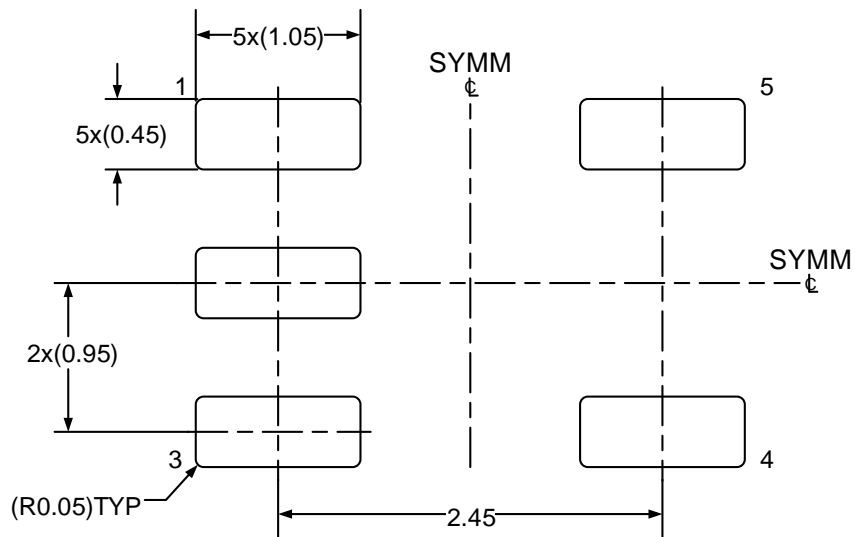
1. All dimensions are in millimeters.
2. Package dimensions does not include mold flash, protrusions, or gate burrs.
3. Refer to the [Table 4 SOT23-5 dimensions\(mm\)](#).

**Table 4. SOT23-5 dimensions(mm)**

SYMBOL	MIN	TYP	MAX
A			1.25
A1	0.03	0.08	0.15
A2	1.05	1.10	1.15
b	0.27		0.35
c	0.135		0.23
D	2.82	2.92	3.02
E	2.60	2.90	3.00
E1	1.50	1.62	1.70
e	0.95 BSC		
e1	1.90 BSC		
L	0.35	0.45	0.55
L1	0.49	0.64	0.79
$\theta$	0°		8°

## 9.2 Recommended Land Pattern

### SOT23-5 Land Pattern Example



NOTES: (continued)

1. Refer to the IPC-7351 can also help you complete the designs.
2. Exposed metal shown.
3. Drawing is 20X scale.



## 10 Ordering Information

Ordering Code	Package Type	ECO Plan	Packing Type	MOQ	OP Temp(°C)
GD30DC1104NSTR-I	SOT23-5	Green	Tape & Reel	3000	Industrial -40°C to +85°C



## Important Notice

This document is the property of GigaDevice Semiconductor Inc. and its subsidiaries (the "Company"). This document, including any product of the Company described in this document (the "Product"), is owned by the Company according to the laws of the People's Republic of China and other applicable laws. The Company reserves all rights under such laws and no Intellectual Property Rights are transferred (either wholly or partially) or licensed by the Company (either expressly or impliedly) herein. The names and brands of third party referred thereto (if any) are the property of their respective owner and referred to for identification purposes only.

The Company makes no representations or warranties of any kind, express or implied, with regard to the merchantability and the fitness for a particular purpose of the Product, nor does the Company assume any liability arising out of the application or use of any Product described in this document. Any information provided in this document is provided only for reference purposes. It is the sole responsibility of the user of this document to determine whether the Product is suitable and fit for its applications and products planned, and properly design, program, and test the functionality and safety of its applications and products planned using the Product. Unless otherwise expressly specified in the datasheet of the Product, the Product is designed, developed, and/or manufactured for ordinary business, industrial, personal, and/or household applications only, and the Product is not designed or intended for use in (i) safety critical applications such as weapons systems, nuclear facilities, atomic energy controller, combustion controller, aeronautic or aerospace applications, traffic signal instruments, pollution control or hazardous substance management; (ii) life-support systems, other medical equipment or systems (including life support equipment and surgical implants); (iii) automotive applications or environments, including but not limited to applications for active and passive safety of automobiles (regardless of front market or aftermarket), for example, EPS, braking, ADAS (camera/fusion), EMS, TCU, BMS, BSG, TPMS, Airbag, Suspension, DMS, ICMS, Domain, ESC, DCDC, e-clutch, advanced-lighting, etc.. Automobile herein means a vehicle propelled by a self-contained motor, engine or the like, such as, without limitation, cars, trucks, motorcycles, electric cars, and other transportation devices; and/or (iv) other uses where the failure of the device or the Product can reasonably be expected to result in personal injury, death, or severe property or environmental damage (collectively "Unintended Uses"). Customers shall take any and all actions to ensure the Product meets the applicable laws and regulations. The Company is not liable for, in whole or in part, and customers shall hereby release the Company as well as its suppliers and/or distributors from, any claim, damage, or other liability arising from or related to all Unintended Uses of the Product. Customers shall indemnify and hold the Company, and its officers, employees, subsidiaries, affiliates as well as its suppliers and/or distributors harmless from and against all claims, costs, damages, and other liabilities, including claims for personal injury or death, arising from or related to any Unintended Uses of the Product.

Information in this document is provided solely in connection with the Product. The Company reserves the right to make changes, corrections, modifications or improvements to this document and the Product described herein at any time without notice. The Company shall have no responsibility whatsoever for conflicts or incompatibilities arising from future changes to them. Information in this document supersedes and replaces information previously supplied in any prior versions of this document.

© 2023 GigaDevice – All rights reserved