

低噪声、极低温漂、高精度电压基准

1 特性

- 低温漂：
 - 高等级 (GD30VR3100): 3 ppm/°C (最大值)
 - 标准等级 (GD30VR1100): 8 ppm/°C (最大值)
- 高准确度：
 - 高等级 (GD30VR3100): 0.05% (最大值)
 - 标准等级 (GD30VR1100): 0.1% (最大值)
- 低噪声: 1.5 μ Vpp/V
- 高输出电流: \pm 10mA
- 温度范围: -40°C 至 125°C

2 应用

- 精密数据采集系统
- 半导体测试设备
- 工业过程控制
- 医疗仪器
- 压力和温度变送器
- 实验室和现场仪表

3 概述

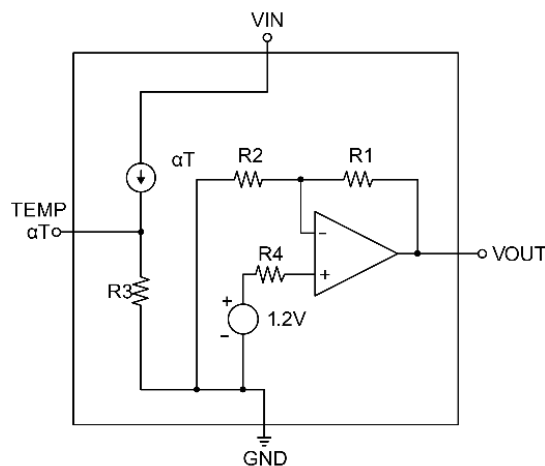
GD30VR1100、GD30VR3100 是一款噪声低、漂移低、精度电压基准极高的产品系列。这些基准同时支持灌电流和拉电流，并且具有出色的线路和负载调节性能。

采用专有的设计技术实现了出色的温漂和高精度。这些特性与极低噪声相结合，使 GD30VR1100、GD30VR3100 系列成为高精度数据采集系统的理想选择。

每种基准电压都有高等级和标准等级之分，提供 SOP8L 和 MSOP8L 两种 8 引脚封装，指定温度范围为-40°C 至 125°C。

产品信息¹

料号	封装	BODY SIZE (NOM)
GD30VR1100	SOP8L	5.00mm x 4.90mm
GD30VR3100	MSOP8L	3.00mm x 4.90mm



结构框图

Important Notice

This document is the property of GigaDevice Semiconductor Inc. and its subsidiaries (the "Company"). This document, including any product of the Company described in this document (the "Product"), is owned by the Company according to the laws of the People's Republic of China and other applicable laws. The Company reserves all rights under such laws and no Intellectual Property Rights are transferred (either wholly or partially) or licensed by the Company (either expressly or impliedly) herein. The names and brands of third party referred thereto (if any) are the property of their respective owner and referred to for identification purposes only.

The Company makes no representations or warranties of any kind, express or implied, with regard to the merchantability and the fitness for a particular purpose of the Product, nor does the Company assume any liability arising out of the application or use of any Product described in this document. Any information provided in this document is provided only for reference purposes. It is the sole responsibility of the user of this document to determine whether the Product is suitable and fit for its applications and products planned, and properly design, program, and test the functionality and safety of its applications and products planned using the Product. Unless otherwise expressly specified in the datasheet of the Product, the Product is designed, developed, and/or manufactured for ordinary business, industrial, personal, and/or household applications only, and the Product is not designed or intended for use in (i) safety critical applications such as weapons systems, nuclear facilities, atomic energy controller, combustion controller, aeronautic or aerospace applications, traffic signal instruments, pollution control or hazardous substance management; (ii) life-support systems, other medical equipment or systems (including life support equipment and surgical implants); (iii) automotive applications or environments, including but not limited to applications for active and passive safety of automobiles (regardless of front market or aftermarket), for example, EPS, braking, ADAS (camera/fusion), EMS, TCU, BMS, BSG, TPMS, Airbag, Suspension, DMS, ICMS, Domain, ESC, DCDC, e-clutch, advanced-lighting, etc.. Automobile herein means a vehicle propelled by a self-contained motor, engine or the like, such as, without limitation, cars, trucks, motorcycles, electric cars, and other transportation devices; and/or (iv) other uses where the failure of the device or the Product can reasonably be expected to result in personal injury, death, or severe property or environmental damage (collectively "Unintended Uses"). Customers shall take any and all actions to ensure the Product meets the applicable laws and regulations. The Company is not liable for, in whole or in part, and customers shall hereby release the Company as well as its suppliers and/or distributors from, any claim, damage, or other liability arising from or related to all Unintended Uses of the Product. Customers shall indemnify and hold the Company, and its officers, employees, subsidiaries, affiliates as well as its suppliers and/or distributors harmless from and against all claims, costs, damages, and other liabilities, including claims for personal injury or death, arising from or related to any Unintended Uses of the Product.

Information in this document is provided solely in connection with the Product. The Company reserves the right to make changes, corrections, modifications or improvements to this document and the Product described herein at any time without notice. The Company shall have no responsibility whatsoever for conflicts or incompatibilities arising from future changes to them. Information in this document supersedes and replaces information previously supplied in any prior versions of this document.

© 2023 GigaDevice – All rights reserved